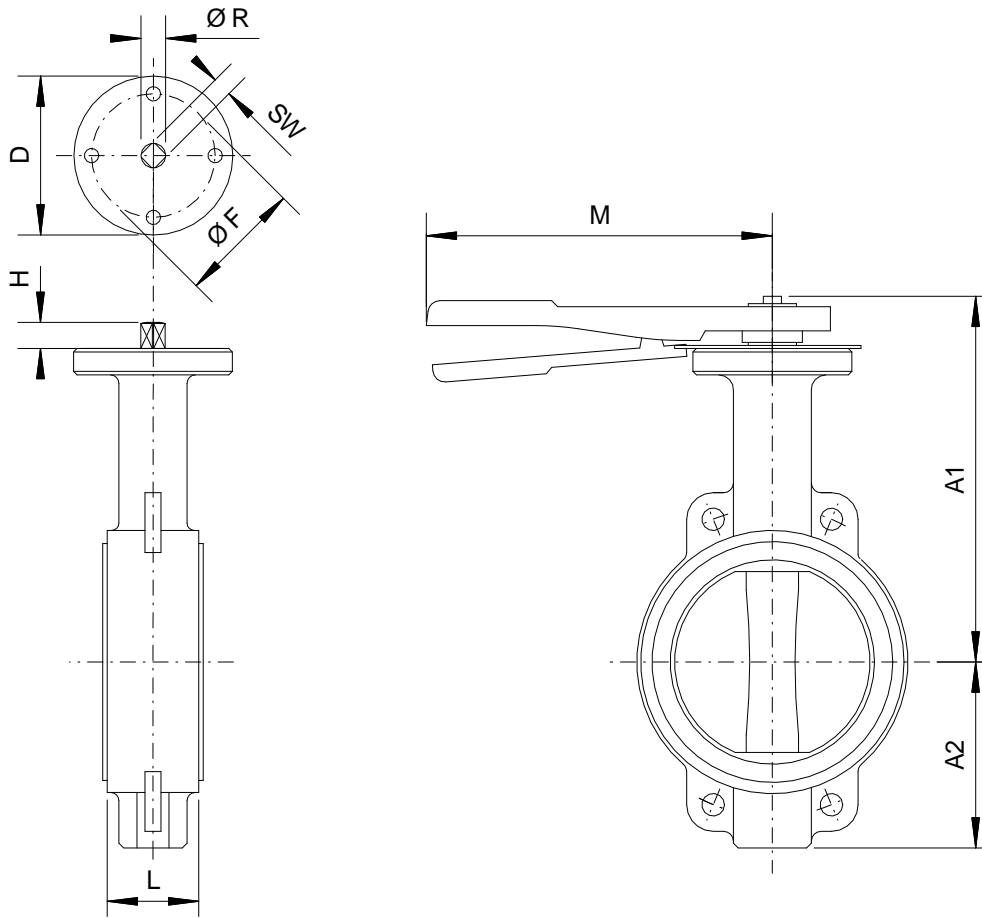


Intermediate Flange Shut-Off Valve AFV



| DN | PN | L | A1 | A2 | D | SW | F | R | H | M | [kg] |
|-----|----|-----|-----|-----|-----|----|-------|----|----|-----|------|
| 50 | 16 | 43 | 200 | 75 | 90 | 11 | 07 | 14 | 30 | 270 | 4,2 |
| 65 | 16 | 46 | 200 | 85 | 90 | 11 | 07 | 14 | 30 | 270 | 4,8 |
| 80 | 16 | 46 | 200 | 100 | 90 | 11 | 07 | 14 | 30 | 270 | 5,6 |
| 100 | 16 | 52 | 220 | 120 | 90 | 14 | 07 | 18 | 30 | 270 | 6,8 |
| 125 | 16 | 56 | 250 | 125 | 90 | 14 | 07 | 18 | 30 | 270 | 8,8 |
| 150 | 16 | 56 | 250 | 150 | 125 | 17 | 07/10 | 22 | 30 | 300 | 11,2 |
| 200 | 16 | 60 | 300 | 150 | 125 | 17 | 07/10 | 22 | 30 | 300 | 16,6 |
| 250 | 16 | 68 | 330 | 200 | 125 | 22 | 10 | 28 | 40 | 300 | 23,5 |
| 300 | 16 | 78 | 360 | 250 | 150 | 22 | 10/12 | 28 | 40 | 300 | 33,8 |
| 350 | 10 | 78 | 390 | 260 | 150 | 22 | 12 | 28 | 45 | * | 61 |
| 400 | 10 | 102 | 420 | 300 | 175 | 27 | 14 | 36 | 45 | * | 82 |
| 450 | 10 | 114 | 445 | 330 | 175 | 27 | 14 | 36 | 45 | * | 136 |
| 500 | 10 | 121 | 480 | 370 | 175 | 36 | 14 | 48 | 45 | * | 163 |


* with hand gear unit

All dimensions in mm / change without subject to notice

Intermediate Flange Shut-Off Valve AFV

with manual or electric operation




| | |
|---|---|
|  | <ul style="list-style-type: none"> ▪ ring form (wafer type) ▪ to be mounted between flanges ANSI 150 and PN10/16 ▪ leak-proof according to EN 12266-1, leak rate A ▪ length according to EN 558-1, series 20 (DIN 3202 K1) ▪ housing: GG-20 ▪ valve plate: stainless steel 1.4401 ▪ shaft: 1.4021 ▪ flange head ISO 5211 – DIN 3337 ▪ sealing: EPDM ▪ epoxy-coated ▪ maximal working temperature: 100°C |
|---|---|


| with mounted electric actuator of series | NK | NL | N 8S |
|--|-------------------|-----------------------------|------------------------|
| floating time | 15, 30 or 60s/90° | 15, 30 or 60s/90° | 25 up to 80s/90° |
| torque | 15Nm | 20 up to 120Nm | up to 500Nm |
| ambient temperature | -15° up to +60°C | -15° up to +60°C | -15° up to +60°C |
| protection class | IP65 | IP65 | IP54 |
| voltage | 230V AC, 50Hz | 230V AC, 50Hz | 230V AC, 50Hz |
| power transmission, assembly of actuator according to EN ISO 5211 | shaft coupling | direct mounting F05, F07 | direct mounting F10 |
| <p align="center">Regulating actuators with 100 % continuous duty Options such as potentiometers, additional auxiliary limit switches, position indication, control output 4-20 mA, Ex Zone 2/22 and higher protection classes up to IP67 on request.</p> | | | |

Intermediate Flange Shut-Off Valve AFV

with pneumatic operation



| | |
|---|---|
|  | <ul style="list-style-type: none"> ▪ ring form (wafer type) ▪ to be mounted between flanges ANSI 150 and PN10/16 ▪ leak-proof according to EN 12266-1, leak rate A ▪ length according to EN 558-1, series 20 (DIN 3202 K1) ▪ housing: GG-20 ▪ valve plate: stainless steel 1.4401 ▪ shaft: 1.4021 ▪ flange head ISO 5211 – DIN 3337 ▪ sealing: EPDM ▪ epoxy-coated ▪ maximal working temperature: 100°C |
|---|---|

| | |
|---|--|
| <p>with mounted pneumatic actuator of series</p> | <p>PD/PE</p>  |
| <p>material</p> | <p>aluminium, anodized / epoxy resin coated</p> |
| <p>control medium</p> | <p>filtered air</p> |
| <p>ambient temperature</p> | <p>-20° up to +80°C</p> |
| <p>actuating pressure</p> | <p>2 up to 8bar</p> |
| <p>mechanical interfaces</p> | <p>ISO 5211 / NAMUR VDI/VDE 3845 exterior travel limitation +/-10°</p> |
| <p>Options such as switch box, magnetic valve, positioner etc. on demand.</p> | |