


| DN  | Li  | D   | d  | k  | H  | C   |
|-----|-----|-----|----|----|----|-----|
| 15  | 18  | 43  | 10 | -  | 27 | 56  |
| 20  | 22  | 53  | 10 | -  | 27 | 59  |
| 25  | 28  | 60  | 10 | 12 | 29 | 80  |
| 32  | 34  | 67  | 10 | 12 | 29 | 84  |
| 40  | 40  | 79  | 10 | 12 | 30 | 90  |
| 50  | 51  | 89  | 10 | 12 | 30 | 95  |
| 65  | 71  | 108 | 10 | 17 | 30 | 105 |
| 80  | 81  | 126 | 12 | 17 | 35 | 118 |
| 100 | 101 | 147 | 12 | 17 | 35 | 128 |
| 125 | 126 | 179 | 12 | 17 | 35 | 144 |
| 150 | 152 | 201 | 12 | 17 | 35 | 155 |
| 200 | 198 | 257 | 16 | 22 | 40 | 191 |
| 250 | 248 | 315 | 16 | 22 | 40 | 220 |
| 300 | 298 | 370 | 20 | 25 | 46 | 250 |
| 350 | 337 | 420 | 20 | 25 | 46 | 275 |
| 400 | 387 | 473 | 25 | 25 | 51 | 305 |
| 450 | 438 | 525 | 25 | 25 | 51 | 330 |
| 500 | 489 | 578 | 25 | 25 | 51 | 357 |


All dimensions in mm / change without subject to notice

## Butterfly Valve RD-K

with electric operation





|   |   |                    |                     |                    |                                   |
|---|---|--------------------|---------------------|--------------------|-----------------------------------|
|  | <ul style="list-style-type: none"> <li>▪ to be mounted between flanges PN6 / PN10 / PN16</li> <li>▪ corpus with sealary grooves at the front surfaces</li> <li>▪ external anti-corrosion painting</li> <li>▪ swing-through type</li> <li>▪ packing box and union nut made of brass</li> <li>▪ high pressure packing box with sealing free of asbestos</li> <li>▪ material:</li> </ul> |                    |                     |                    |                                   |
|   | <b>Temperature</b>  | <b>up to 280°C</b> | <b>up to 350 °C</b> | <b>up to 450°C</b> | <b>up to 550°C</b>                |
|   | <b>Housing</b>  | GG25               | GG25                | GGG40              | GGG40<br>40µm chem. nickel-plated |
|   | <b>Valve plate</b>  | St                 | 1.4301              | 1.4301             | 1.4571                            |
|   | <b>Shaft</b>  | 1.4305             | 1.4305              | 1.4305             | 1.4571                            |

|   |                     |   |                         |   |
|---|---------------------|---|-------------------------|---|
| <b>with mounted electrical actuator of series</b>   | <b>NK</b>           |  | <b>NL</b>               |  |
|   | floating time       | 15, 30 or 60s/90°   | 15, 30 or 60s/90°       |   |
|   | torque              | 10 or 15Nm  | 20 or 40Nm              |   |
|   | ambient temperature | -15° up to +60°C  | -15° up to +60°C        |   |
|   | protection class    | IP65  | IP65                    |   |
|   | voltage             | 230V, 50Hz  | 230V, 50Hz              |   |
|   | power transmission  | cutoff lever coupling   | cutoff lever coupling** |   |
| <p>** From DN 400 via disengageable hand lever.<br/>Options such as potentiometers, additional auxiliary limit switches, position indication, control output 4–20 mA, Ex Zone 2/22 and higher protection classes up to IP67 on request.</p> |                     |   |                         |   |

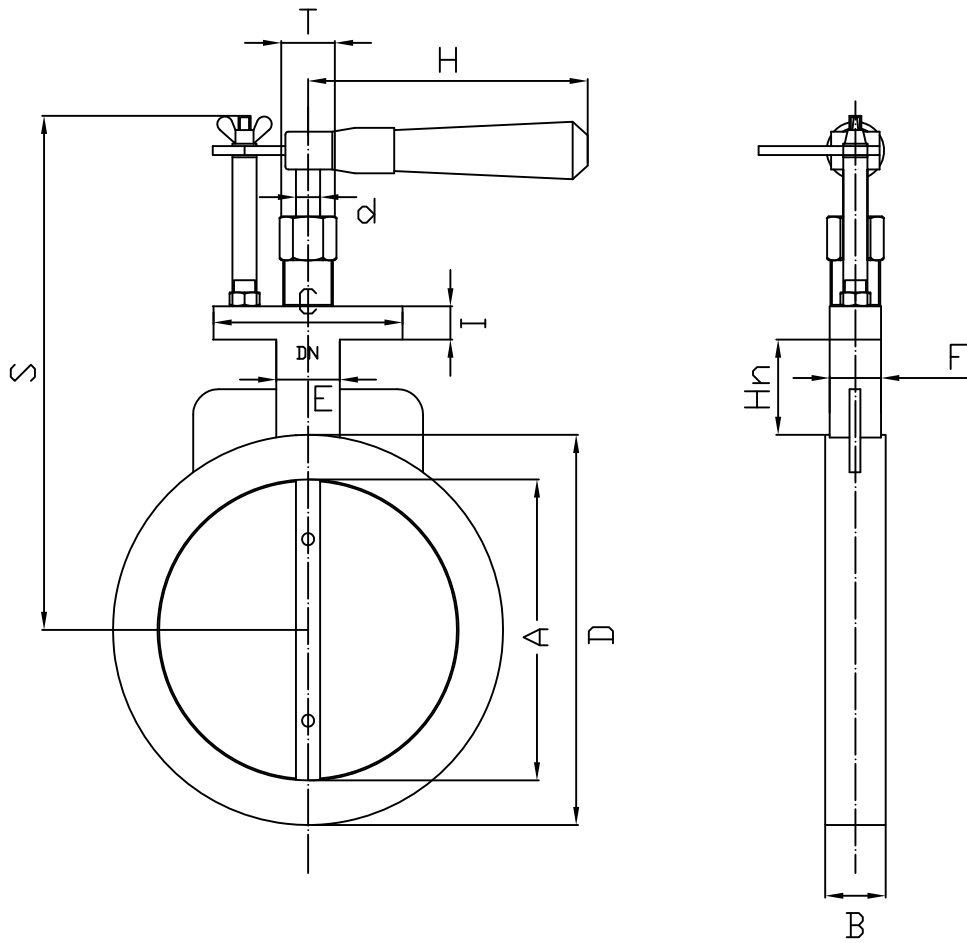
**Butterfly Valve RD-K**  
with pneumatic operation



|   |   |                    |                     |                    |                                   |
|---|---|--------------------|---------------------|--------------------|-----------------------------------|
|  | <ul style="list-style-type: none"> <li>▪ to be mounted between flanges PN6 / PN10 / PN16</li> <li>▪ corpus with sealary grooves at the front surfaces</li> <li>▪ external anti-corrosion painting</li> <li>▪ swing-through type</li> <li>▪ packing box and union nut made of brass</li> <li>▪ high pressure packing box with sealing free of asbestos</li> <li>▪ material:</li> </ul> |                    |                     |                    |                                   |
|   | <b>Temperature</b>  | <b>up to 280°C</b> | <b>up to 350 °C</b> | <b>up to 450°C</b> | <b>up to 550°C</b>                |
|   | <b>Housing</b>  | GG25               | GG25                | GGG40              | GGG40<br>40µm chem. nickel-plated |
|   | <b>Valve plate</b>  | St                 | 1.4301              | 1.4301             | 1.4571                            |
|   | <b>Shaft</b>  | 1.4305             | 1.4305              | 1.4305             | 1.4571                            |

|   |   |
|---|---|
| <p><b>with mounted pneumatic actuator of series</b></p>   | <p><b>PD/PE</b></p>   |
| <p>material</p> <p>control medium</p> <p>ambient temperature</p> <p>actuating pressure</p> <p>mechanical interfaces</p> | <p>aluminum, anodized / epoxy resin coated</p> <p>filtered air</p> <p>-20° up to +80°C</p> <p>2 up to 8bar, dimensioned for 6 bar</p> <p>ISO 5211 / NAMUR VDI/VDE 3845</p> <p>exterior travel limitation +/-10°</p> |
| <p>Options such as switch box, magnetic valve, positioner etc. on request.</p>  |   |

Butterfly Valve RD-K (With Infinitely Adjustable Hand Lever)



| DN  | A   | D   | B  | d  | Hn | S   | I  | C  | E  | F  | T    | kg/pc. |
|-----|-----|-----|----|----|----|-----|----|----|----|----|------|--------|
| 25  | 28  | 60  | 30 | 10 | 50 | -   | 12 | 80 | 34 | 24 | 1/2" | 1,1    |
| 32  | 34  | 67  | 30 | 10 | 50 | -   | 12 | 80 | 34 | 24 | 1/2" | 1,2    |
| 40  | 40  | 79  | 30 | 10 | 50 | 180 | 12 | 80 | 34 | 24 | 1/2" | 1,4    |
| 50  | 51  | 89  | 30 | 10 | 50 | 185 | 12 | 80 | 34 | 24 | 1/2" | 1,6    |
| 65  | 71  | 108 | 30 | 10 | 50 | 190 | 12 | 80 | 34 | 24 | 1/2" | 2,2    |
| 80  | 81  | 126 | 35 | 12 | 55 | 210 | 17 | 90 | 38 | 28 | 3/4" | 2,5    |
| 100 | 101 | 147 | 35 | 12 | 55 | 235 | 17 | 90 | 38 | 28 | 3/4" | 3,3    |
| 125 | 126 | 179 | 35 | 12 | 55 | 255 | 17 | 90 | 38 | 28 | 3/4" | 4,8    |
| 150 | 152 | 201 | 35 | 12 | 55 | 270 | 17 | 90 | 38 | 28 | 3/4" | 5,5    |

H = 116mm

| DN  | A   | D   | B  | d  | Hn | S   | I  | C   | E  | F  | T      | kg/pc. |
|-----|-----|-----|----|----|----|-----|----|-----|----|----|--------|--------|
| 200 | 198 | 257 | 40 | 16 | 63 | 330 | 22 | 125 | 42 | 34 | 1"     | 10,0   |
| 250 | 248 | 315 | 40 | 16 | 63 | 360 | 22 | 125 | 42 | 34 | 1"     | 12,8   |
| 300 | 298 | 370 | 46 | 20 | 65 | 390 | 25 | 125 | 45 | 39 | 1 1/4" | 18,0   |
| 350 | 337 | 420 | 46 | 20 | 65 | 415 | 25 | 125 | 45 | 39 | 1 1/4" | 21,0   |
| 400 | 387 | 473 | 51 | 25 | 68 | 465 | 25 | 150 | 62 | 44 | 1 1/2" | 28,0   |
| 450 | 438 | 525 | 51 | 25 | 68 | 492 | 25 | 150 | 62 | 44 | 1 1/2" | 34,0   |
| 500 | 489 | 578 | 51 | 25 | 68 | 520 | 25 | 150 | 62 | 44 | 1 1/2" | 37,0   |

H = 185mm

All dimensions in mm / change without subject to notice

**Butterfly Valve RD-K**  
with manual operation



- to be mounted between flanges PN6 / PN10 / PN16
- corpus with sealary grooves at the front surfaces
- external anti-corrosion painting
- swing-through type
- packing box and union nut made of brass
- high pressure packing box with sealing free of asbestos material:

| Temperature | up to<br>280°C | up to<br>350 °C | up to<br>450°C | up to<br>550°C                       |
|-------------|----------------|-----------------|----------------|--------------------------------------|
| Housing     | GG25           | GG25            | GGG40          | GGG40<br>40µm chem.<br>nickel-plated |
| Valve plate | St             | 1.4301          | 1.4301         | 1.4571                               |
| Shaft       | 1.4305         | 1.4305          | 1.4305         | 1.4571                               |