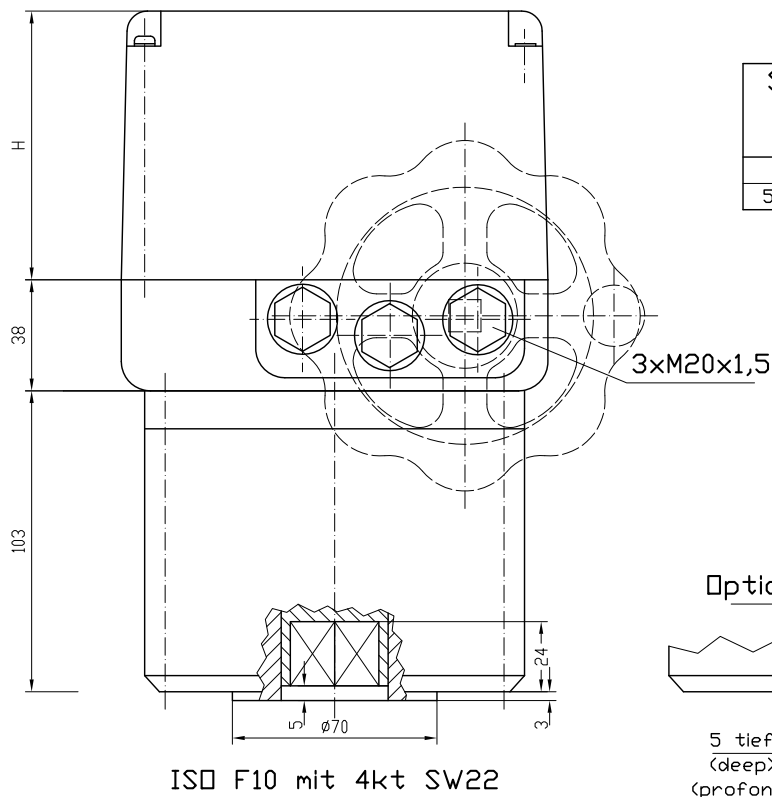
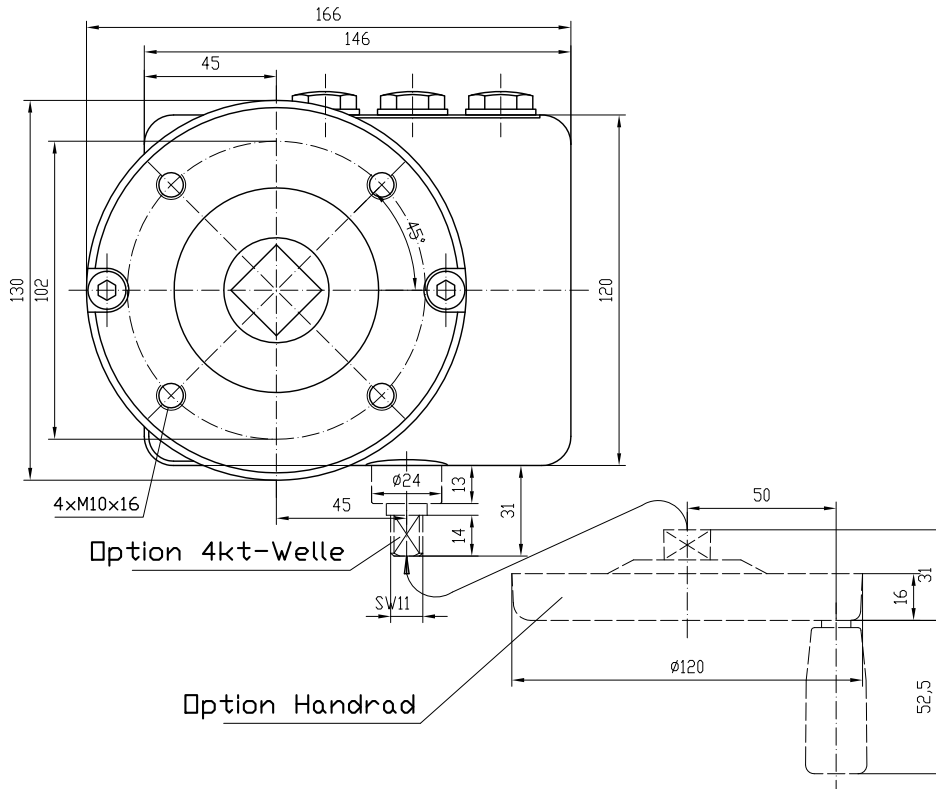


Drehantrieb N8



| Stellzeit Time Temps | H |
|----------------------------|-----|
| 120s / 90° | 92 |
| 50-80s / 90° | 176 |

