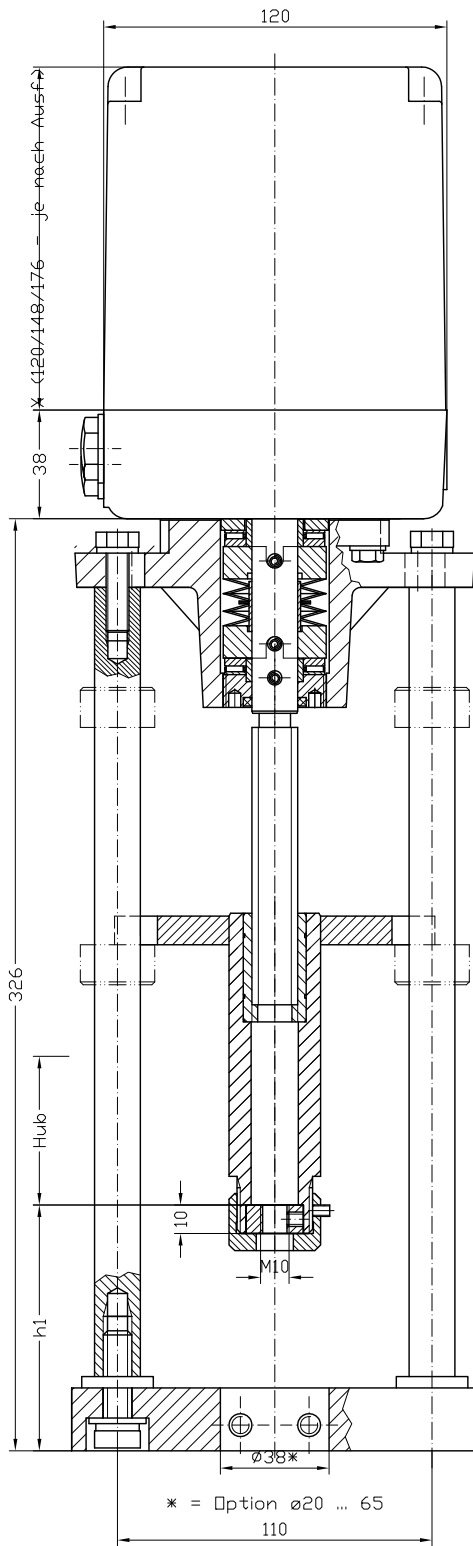
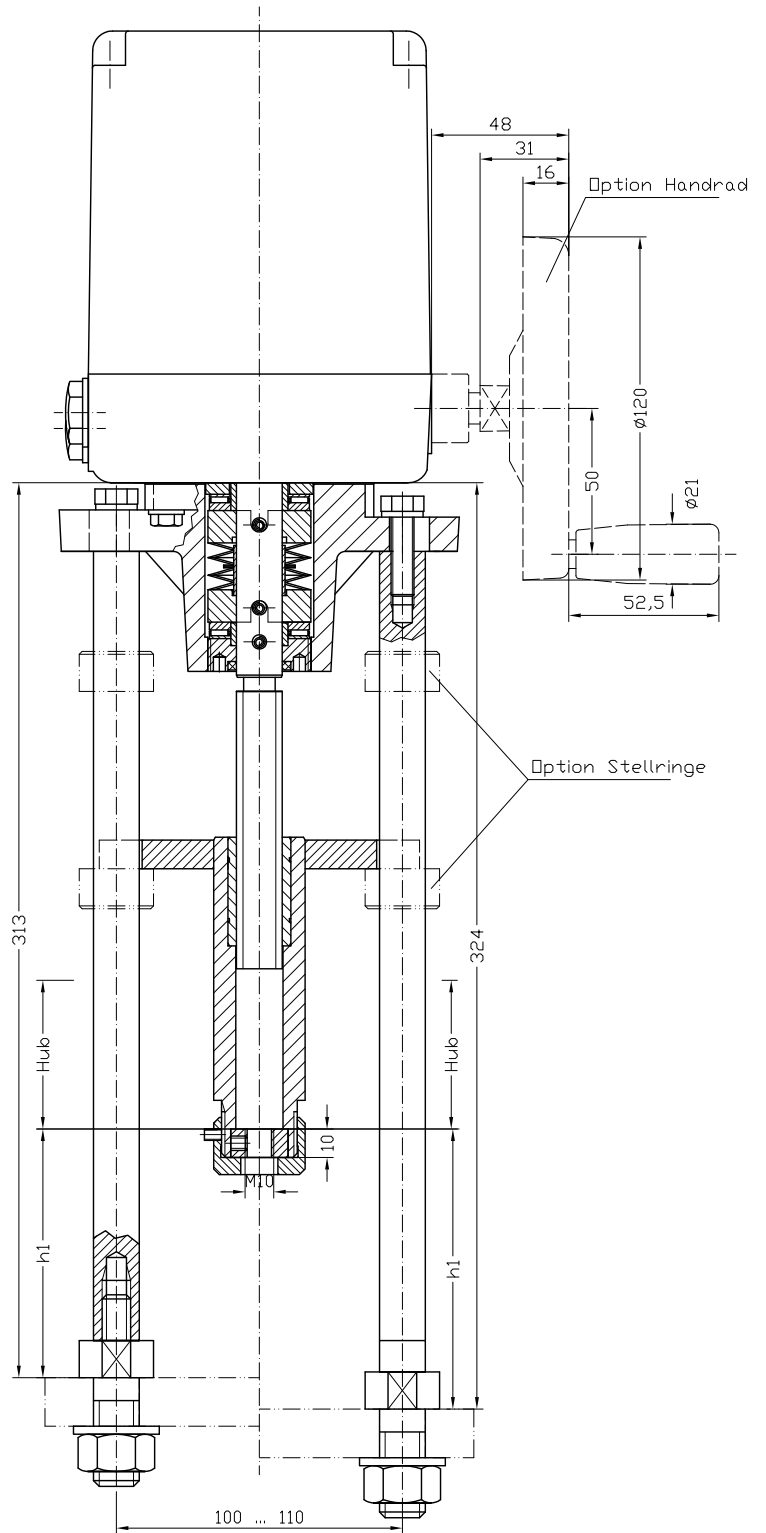


Ventilantrieb V1-5



Flansch
Hub = 151 - h1
h1 = 66 ... 146



Adapter kurz
Hub = 138 - h1
h1 = 53 ... 133

Adapter lang
Hub = 149 - h1
h1 = 64 ... 144

